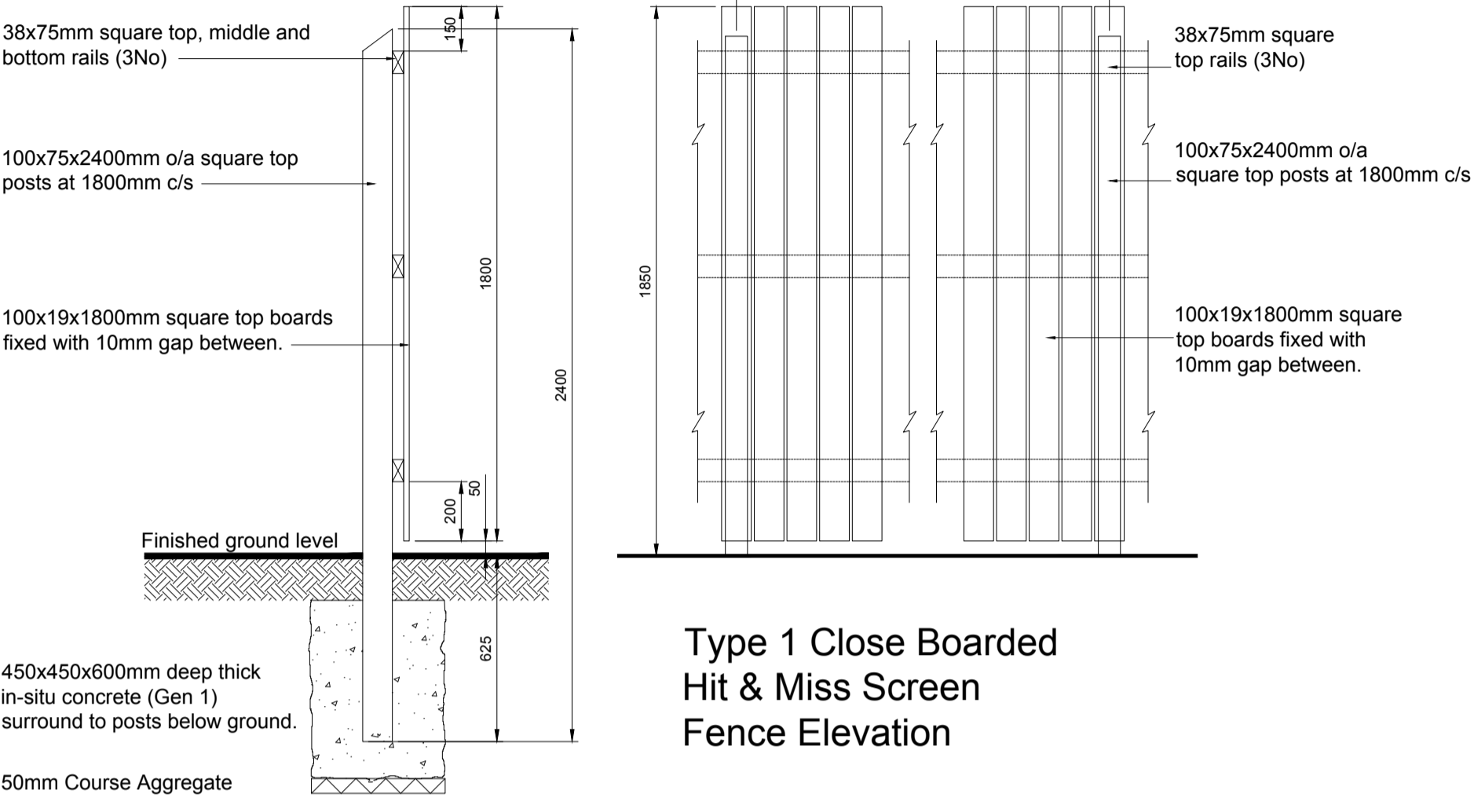
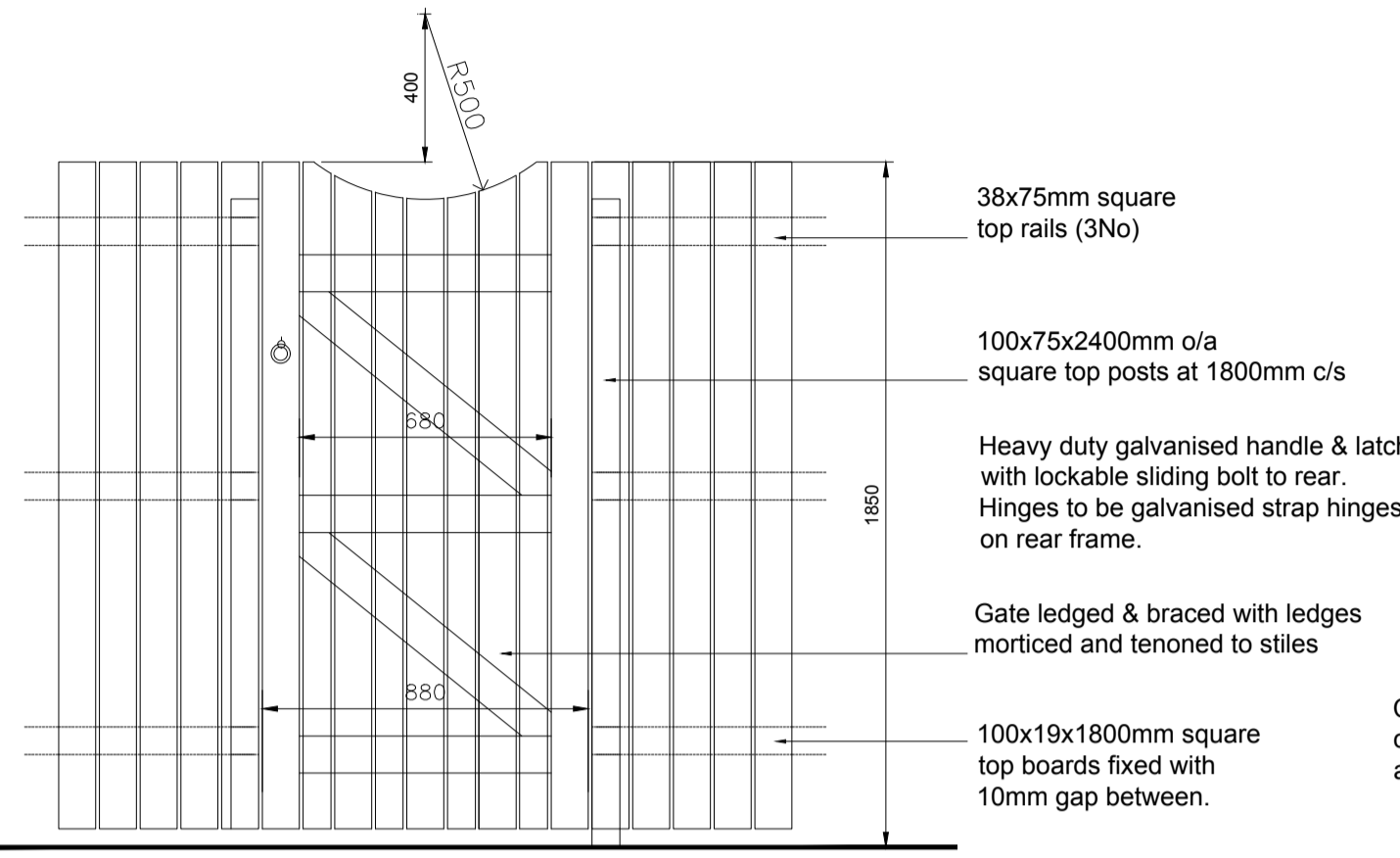


# Breary Lane. Leeds.

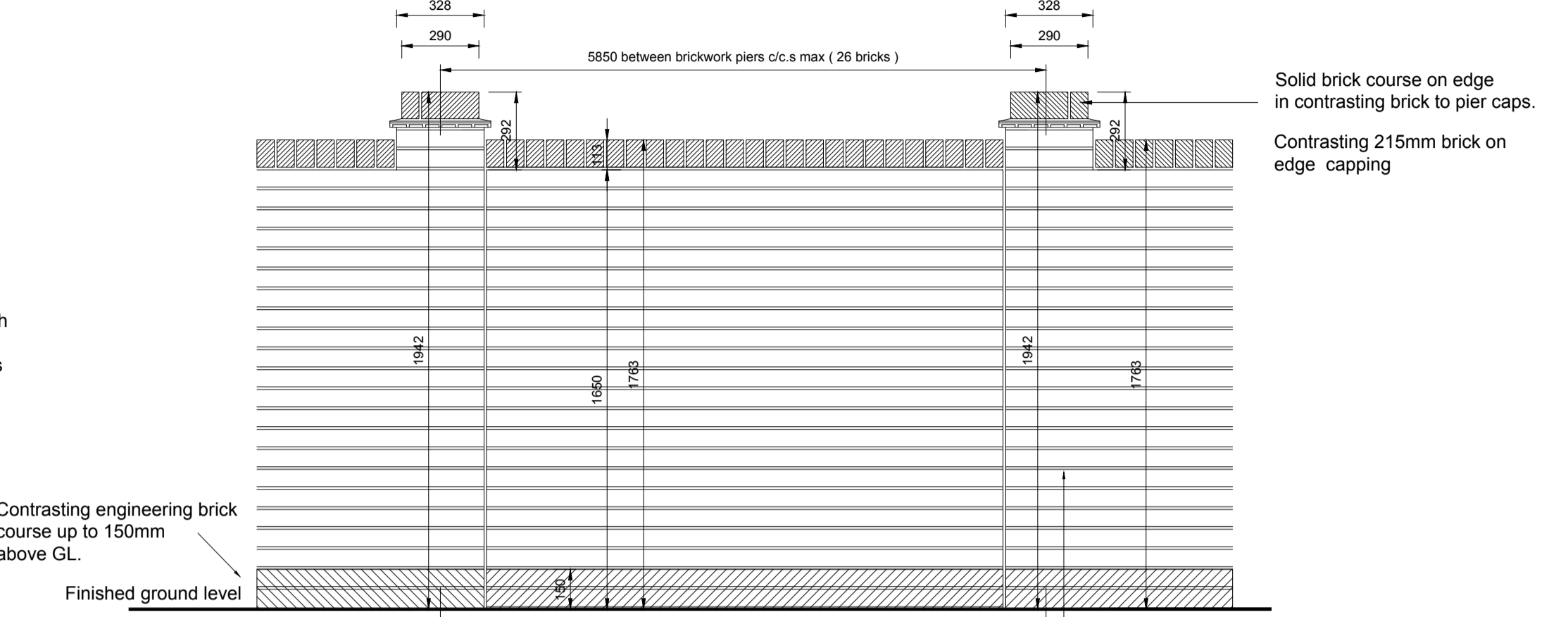


**Type 1 Close Boarded Hit & Miss Screen Fence Elevation**

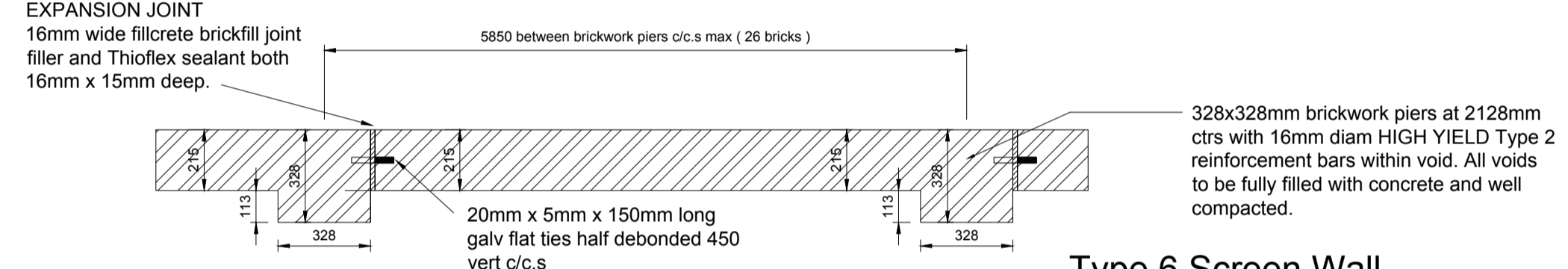
**Type 1 Close Boarded Hit & Miss Screen Fence Section**



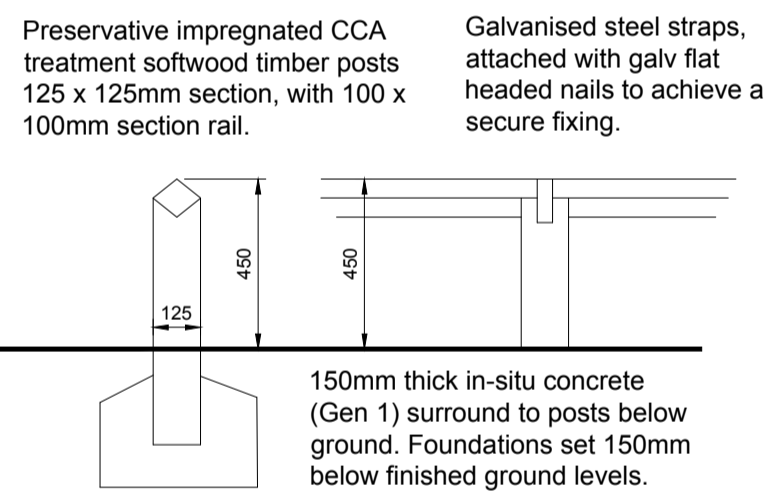
**Type 1 Close Boarded Gated Access**



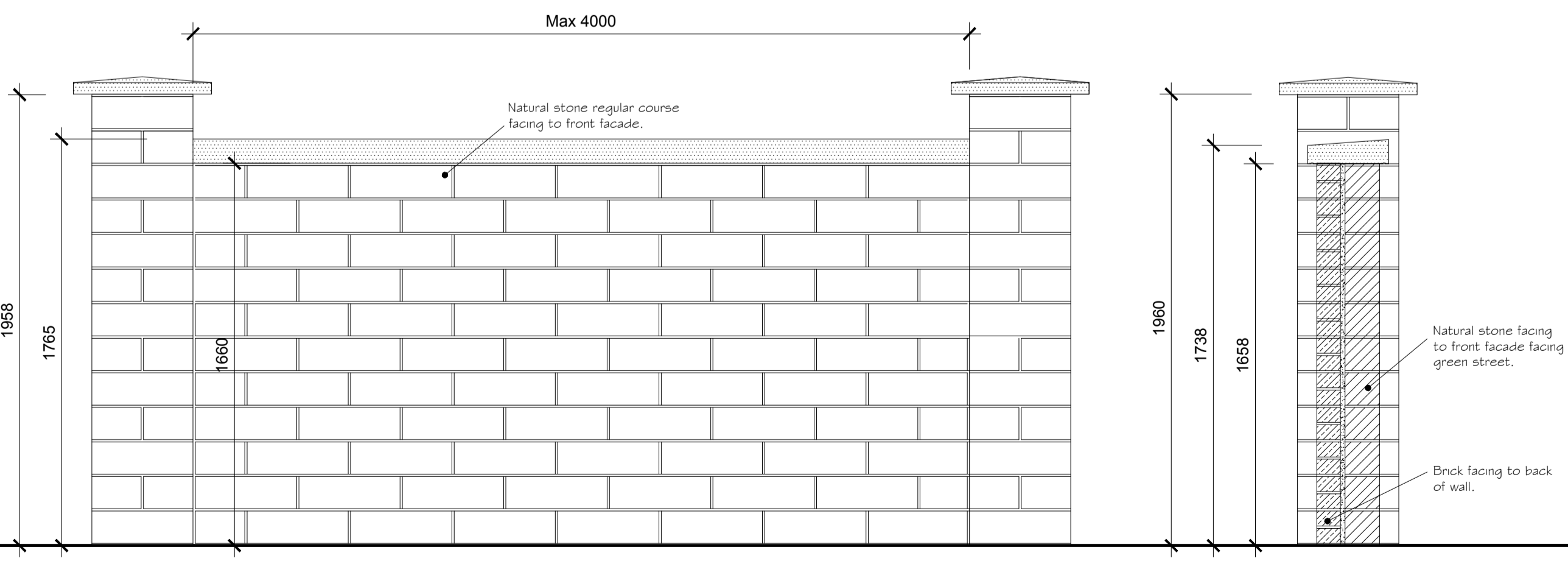
**Elevation Through Type 6 Screen Wall Fence**



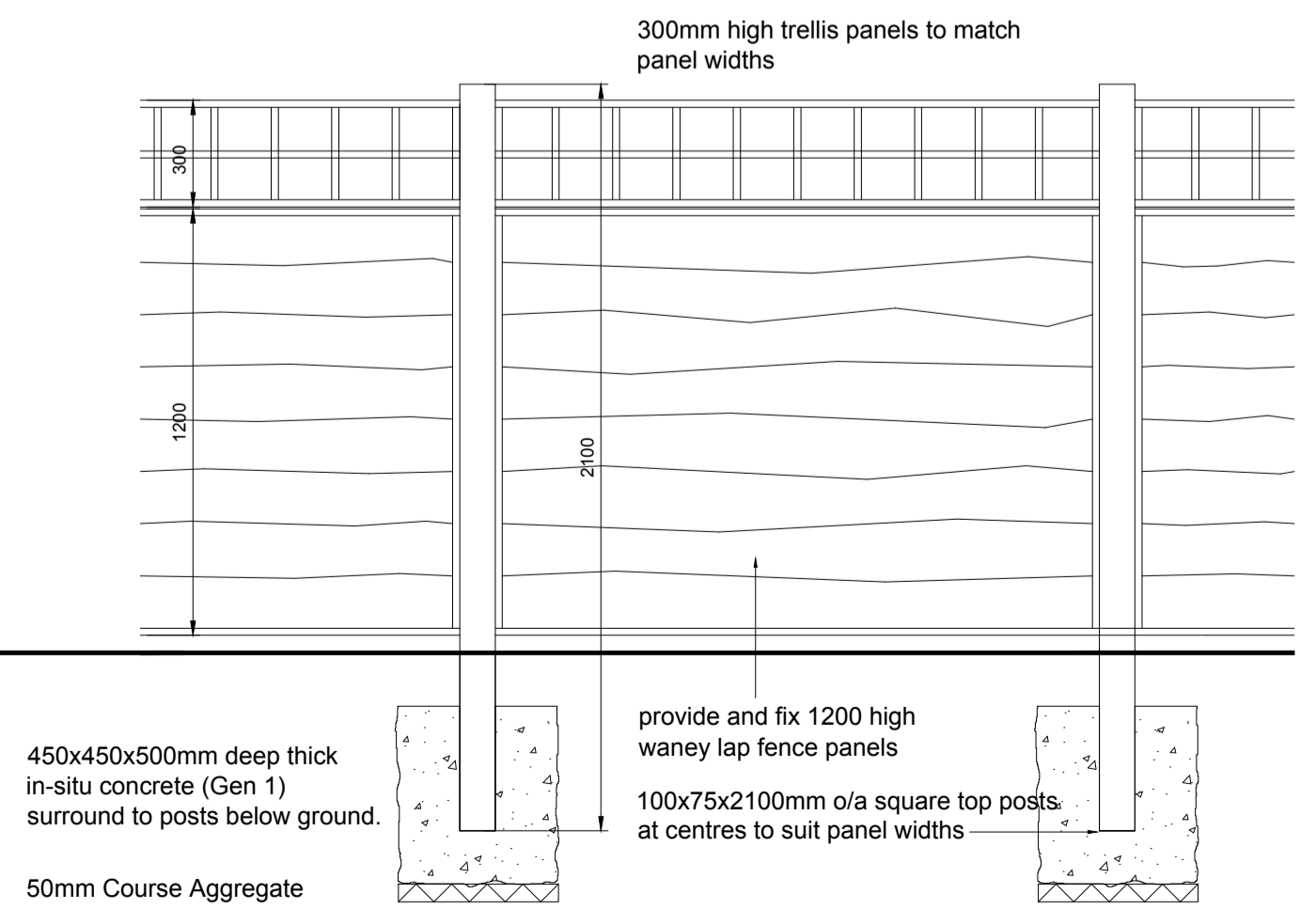
**Type 6 Screen Wall Expansion Detail at Pier Position**



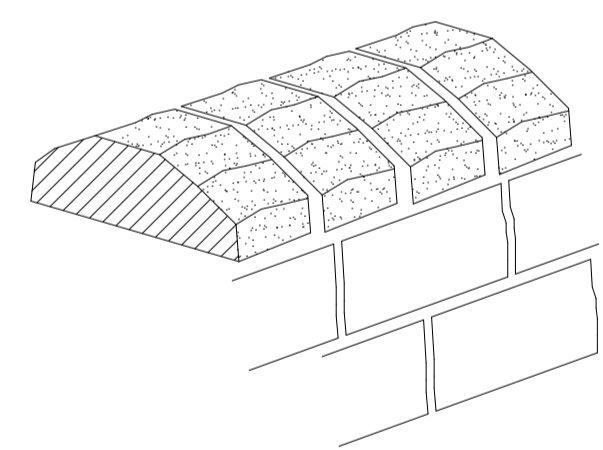
**Type 10 450 or 600mm High Kickrail Fence**



**Natural stone screen wall**



**Type 2 Larch Lap / Lattice Fence 1.5m High**



**Dry stone entrance wall**

Rev	Date	Revision	Initial
* Client			
 the place to be®			
* Drawing Title			
<b>BOUNDARY TREATMENT DETAILS</b>			
* Project			
Breary Lane, Leeds.			
Job No	Drwg No	Drawn	Rev
16044	08	ac	
Scale	Date	Stage	
1:20 @ A1	20.03.2017	For Approval	
* MPSL Planning & Design Ltd 14 West Point Enterprise Park, Clarendon Avenue, Trafford Park, Manchester, M17 1QS			
			
* Tel: 0161 772 9999 Email: admin@mpsdesign.co.uk www.mpsgroup.com			